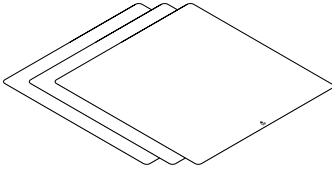
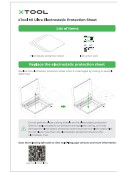


xTool M1 Ultra Electrostatic Protection Sheet

List of items



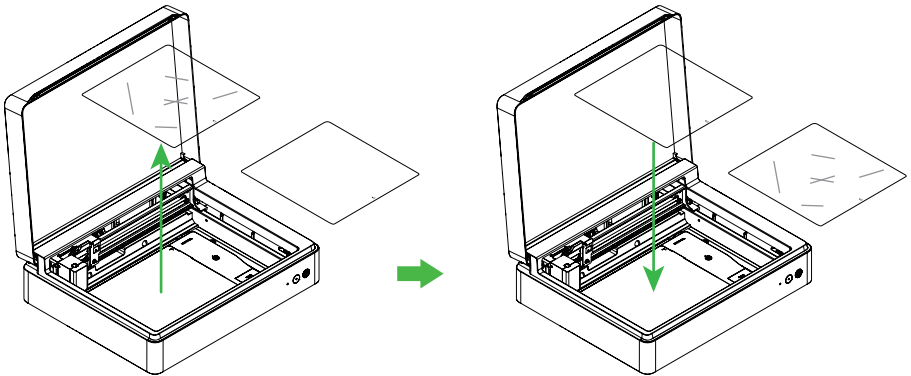
Electrostatic protection sheet



Instruction card

Replace the electrostatic protection sheet

Replace the electrostatic protection sheet when it is damaged by cutting or severely deformed.



Do not perform blade cutting directly on the electrostatic protection sheet or apply excessive cut pressure during blade cutting, as it may damage the electrostatic protection sheet and even the electrostatic film. Do not place more than one electrostatic protection sheet on the electrostatic mat.

Scan the following QR code to view multi-language versions and more information.

